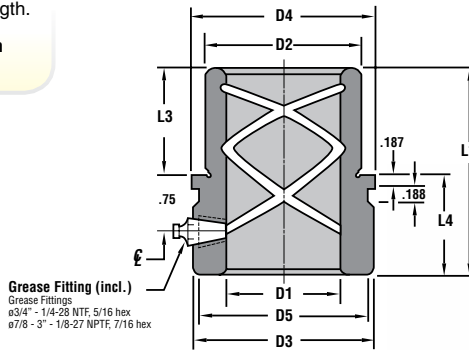


Standard Shoulder Bushings

Bronze Plated	D1	D2	D3	D4	D5	L1	L3	L4	Solid Steel *	Solid Bronze
DIECO Part #	Nominal I.D.	Wring Fit Dia Ground	Head OD	Shoulder OD	Head OD Groove	Overall Length	Wring Fit Length	Head Length	DIECO Part #	DIECO Part #
GAC750S	3/4	1.125	1.219	1.313	1.125	2.063	0.813	1.25	GAC750SS	GAC750SB
GAC875S	7/8	1.375	1.391	1.469	1.375	2.125	0.875	1.25		GAC875SB
GAC100S	1	1.500	1.656	1.75	1.563	2.125	0.875	1.25	GAC100SS	GAC100SB
GAC100L						3.125	1.875			
GAC125S	1 1/4	1.750	2.031	2.125	1.938	2.625	1.125	1.50	GAC125SS	GAC125SB
GAC125L						3.625	2.125			
GAC150S	1 1/2	2.000	2.281	2.375	2.188	2.875	1.375	1.50	GAC150SS	GAC150SB
GAC150L						3.875	2.375			
GAC175S	1 3/4	2.250	2.531	2.625	2.438	3.125	1.625	1.50	GAC175SS	GAC175SB
GAC175L						4.125	2.625			
GAC200S	2	2.500	3.031	3.125	2.938	3.375	1.875	1.50	GAC200SS	GAC200SB
GAC200L						4.375	2.875			
GAC250S	2 1/2	3.000	3.531	3.625	3.438	3.875	1.875	2.00	GAC250SS	GAC250SB
GAC300S	3	3.625	4.281	4.375	4.188	3.875	1.875	2.00		GAC300SB

* Solid steel also available with a 2" head length.

D Clamps and screws are included with Demountable Shoulder Bushings.



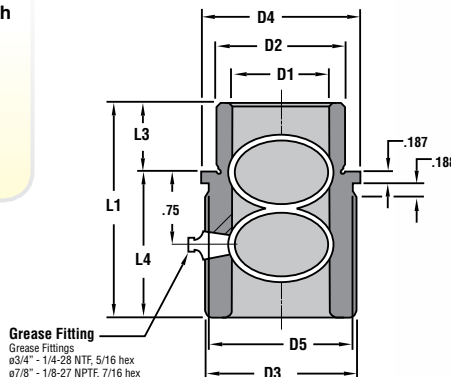
Long & Extra Long Shoulder Bushings - Bronze Plated

Long Shoulder DIECO Part #	D1 Nominal I.D.	D2 Wring Fit Dia.	D3 Head OD	D4 Shoulder OD	D5 Head OD Groove	L1 Overall Length	L3 Wring Fit Length	L4 Head Length	Extra Long Shoulder DIECO Part #	L1 Overall Length	L3 Wring Fit Length	L4 Head Length
GLAC750S	3/4	1.125	1.219	1.313	1.125	2.813	0.813	2.000	GXLAC750S	3.563	0.813	2.750
GLAC875S	7/8	1.375	1.563	1.563	1.375	3.000	0.875	2.125	GXLAX875S	4.375	0.875	3.500
GLAC100S	1	1.500	1.656	1.750	1.563	3.125	0.875	2.250	GXLAC100S	4.375	0.875	3.500
GLAC125S	1 1/4	1.750	2.031	2.125	1.928	3.500	1.125	2.375	GXLAC125S	4.625	1.125	3.500
GLAC150S	1 1/2	2.000	2.281	2.375	2.188	4.125	1.375	2.375	GXLAC150S	4.875	1.375	3.500
GLAC175S	1 3/4	2.250	2.531	2.625	2.438	4.625	1.625	3.000				
GLAC200S	2	2.500	3.031	3.125	2.938	4.625	1.625	3.000				
GLAC250S	2 1/4	3.000	3.531	3.625	3.438	5.375	1.875	3.500				
GLAC300S	3	3.625	4.281	4.375	4.188	5.875	1.875	4.000				

D Clamps and screws are included with Demountable Shoulder Bushings.

Also available in UNGROUND

- Same part number as above without "G" in front.
- All unground bushings have .015 grind stock on the D2 diameter.



Other styles also available:
Solid steel also available in Long and Extra Long Shoulder.
Standard shoulder bushing available in Self Lubricating